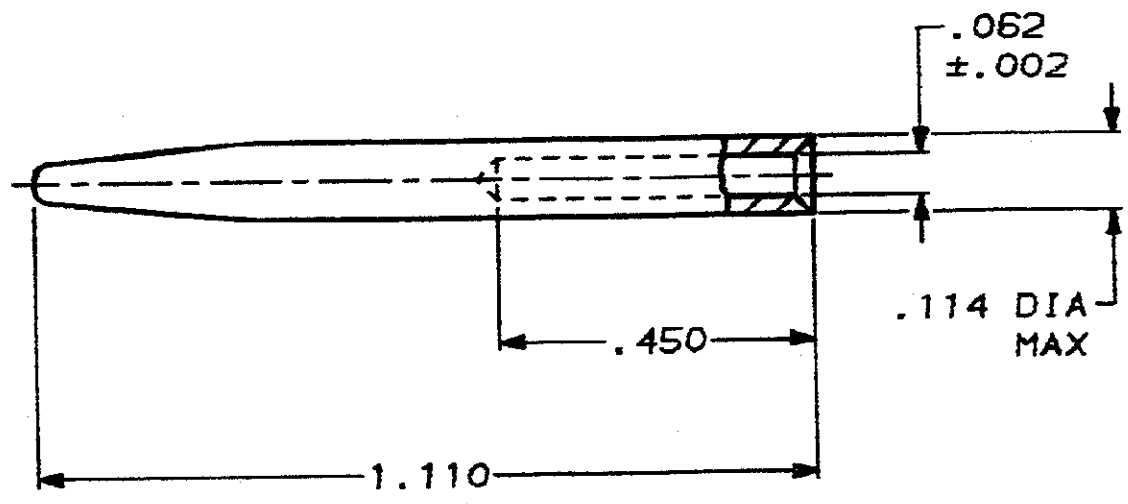


DRAWING MADE IN THIRD ANGLE PROJECTION

MOD	LOC	DIST	P	F	LTR	DESCRIPTION	DATE	APPROVED
23	BD	39			B	REDRAWN	7/28/90	KCB

THIS DRAWING IS UNPUBLISHED. RELEASED FOR PUBLICATION BY AMP INCORPORATED. ALL INTERNATIONAL RIGHTS RESERVED. © COPYRIGHT 19



208337-1
PART NO

DO NOT SCALE PRINT. UNLESS SPECIFIED DIMENSIONS IN TOLERANCES ON: UN PLG DEC ± .015 ANGLES ±

MATERIAL
COLOR: TEFLON NATURAL

FINISH

DR 7/28/90
A. STALE BS

CHK *[Signature]*

APPD *K. Beaver* 1-18-91

APPD *- Q. Zuber* 1/28/91

PRODUCT SPEC

APPLICATION SPEC

WEIGHT

AMP AMP INCORPORATED
Harrisburg, Pa. 17105

NAME
SEAL PROTECTOR, PIN, ECONOSEAL

SIZE A	FSCN NO 00779	DRAWING NO 208337
SCALE 4:1	SHEET 1 OF 1	